




**RAISING THE BAR**  
**ON HOW WORK GETS DONE**

Telehandlers for the agriculture industry



A man with a beard, wearing a grey cap and a dark blue long-sleeved shirt, is looking towards a large stream of yellow grain falling from a piece of machinery. The background is slightly blurred, showing more of the machinery and a large wheel.

When you work in the great wide open, dawn-to-dusk is a short day and slowing down is out of the question. The stakes are high. The risks are higher. And success calls for more than the right equipment. It calls for a trusted partner who helps carry the load, and then some.

Born on American soil, raised on homespun values and forged by decades of tried-and-true engineering, JLG® is coming home to where we began — working shoulder-to-shoulder with farmers, ranchers and agricultural communities across North America.

*JLG is coming home.*



# IT'S A BEAUTIFUL DAY TO PRODUCE MORE WITH LESS

Meet the all-new line of JLG telehandlers for farming and ranching operations. With extended reach and lift height, and a range of capabilities and attachments, these machines help you take on any day, no matter what Mother Nature brings.



## PROUD WEARERS OF MANY HATS

Whatever your operations are, JLG telehandlers save time, money and labor across a variety of applications, including:

- + HANDLING AND STACKING HEAVY MATERIALS
- + MOVING FEED AND SEED
- + PEN BEDDING AND CLEANUP
- + DEFACING SILAGE AND HAYLAGE
- + TOWING
- + MAINTENANCE





# RISE AND BE AMAZED

Purpose-built for the grind of agriculture, JLG telehandlers stand up to the toughest conditions and tackle every job with an expansive range of features.



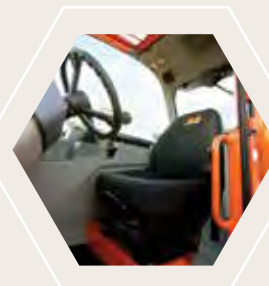
## VERSATILITY

- ✦ Standard hydraulic quick coupler (the coupler can also be fitted to match your existing attachments).
- ✦ Standard single auxiliary hydraulics and optional dual auxiliary hydraulics for operating attachments with multiple capabilities.
- ✦ A range of agriculture-specific attachments including silage defacers, bale carriages, buckets, pallet forks and lifting tools.
- ✦ Greater lift height and forward reach compared to skid steers and wheel loaders, allowing you to perform many tasks with one machine and decrease operating costs.



## PERFORMANCE

- ✦ Precision lifting with excellent attachment rotation for faster bucket speeds and better tilt angles.
- ✦ Up to 25 mph travel speeds and a tight turning radius for more maneuverability and time savings compared to skid steers.
- ✦ Three steering modes: 2-wheel, 4-wheel and 4-wheel crab.
- ✦ More ground clearance (19-in) than skid steers for better terrainability over uneven surfaces.
- ✦ Less ground disturbance than skid steers to help keep fields intact.
- ✦ Short rear-axle-to-hitch distance for greater stability when towing a trailer or wagon.
- ✦ Optional single or dual rear auxiliary hydraulics to allow for the use of machinery requiring hydraulics.



## COMFORT

- ✦ Standard ride control to improve boom control and load retention when traveling over uneven terrain.
- ✦ Standard boom float that enables attachments to follow the contours of the ground while operator has free movement of the boom lift and lower functions.
- ✦ Finely tuned boom controls with standard soft stop to slow the boom when it's approaching load placement.
- ✦ Spacious enclosed cab with excellent visibility, optional AC and simple, intuitive controls.
- ✦ Single joystick to control all boom functions, auxiliary hydraulics and drive functions.
- ✦ Convenient dashboard layout and LED dash display.
- ✦ Adjustable suspension seat with premium seat options available.



## CONFIDENCE

- ✦ Standard Load Stability Indication (LSI) system that senses when the telehandler reaches forward load capacity and automatically alerts the operator, providing additional aid during challenging tasks.
- ✦ Optional multifunction display with reversing camera puts important machine information like electronic load charts and diagnostics at the operator's fingertips.
- ✦ Optional reverse sensing system alerts the operator of rear obstructions with an audible alarm.



## BEYOND MACHINERY

With JLG, your operation gets more than a leading designer and manufacturer of telehandlers. We are advocates for families and farmland, innovators with solutions, believers in productivity and a handshake 50+ years in the making.



## A NETWORK YOU CAN COUNT ON

- + **DEALER NETWORK**  
JLG understands downtime is not an option, which is why our growing dealer network stands ready to support you as quickly as possible.
- + **FINANCING**  
JLG Financial offers financing for all types of equipment across the agriculture industry, partnering with lenders who know the product and community.
- + **AFTERMARKET**  
We help keep your equipment running at peak performance with genuine replacement parts, rebuilt and competitive parts, attachments and accessories — all from one source.

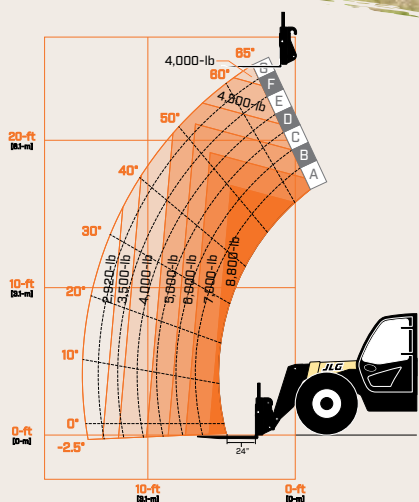
VISIT [JLGagriculture.com](https://www.jlgagriculture.com)



# AG925

## ENGINEERED TO TRANSFORM THE STATUS QUO

At the head of the table is the AG925, the pioneer of our agriculture machines. With an 8,800-lb maximum capacity and a 2,920-lb capacity at maximum reach, it gives you excellent capability throughout the load chart. And the moment you close the cab door, you get a powerful sense of resolve. Hay. Manure. Uptime. The AG925 lifts it all.



Maximum Capacity:  
**8,800-lb**

Maximum Forward Reach:  
**14-ft 1-in**

Maximum Lift Height:  
**24-ft 11-in**

Capacity at Maximum Reach:  
**2,920-lb**

Deutz TCD **3.6**  
**L04** Engine

**6**-speed  
powershift  
transmission



# THERE ARE NO SECOND STRINGS

Rugged outfitting. Maximum productivity. The AG823 and AG832 bring you the same breadth of features as the AG925, but with varying capacities, lift heights and reach. After all, no two farms or ranches are alike and it's wise to be prepared for any challenge.



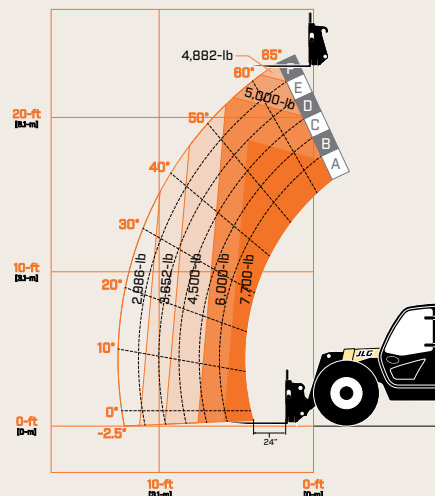
# AG823

# AG832

Maximum Capacity: **7,716-lb**      Maximum Lift Height: **22-ft 11-in**

Maximum Forward Reach: **12-ft 2-in**      Capacity at Maximum Reach: **2,986-lb**

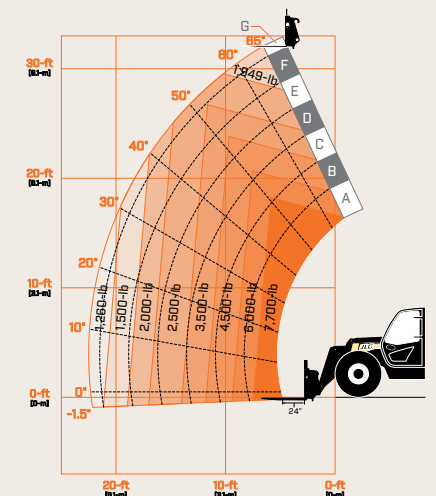
Deutz TCD **3.6 L04** Engine  
**6**-speed powershift transmission



Maximum Capacity: **7,716-lb**      Maximum Lift Height: **32-ft 2-in**

Maximum Forward Reach: **21-ft 8-in**      Capacity at Maximum Reach: **1,260-lb**

Deutz TCD **3.6 L04** Engine  
**6**-speed powershift transmission





# TIME AND FLEXIBILITY

## ARE OF THE ESSENCE

Until the day comes when there's less to do, we'll be driven to help you do it faster. That's why JLG telehandlers can swiftly adapt to various tasks with our ag-specific attachments.

The more efficiently you work, the more successful you are.

And the sooner you get home to your family.



### General Purpose Bucket

- + 96-in, 1.3-cu yd / 2.5-m, 1.0-m<sup>3</sup>
- + 96-in, 2.0-cu yd / 2.5-m, 1.5-m<sup>3</sup>
- + 96-in, 2.6-cu yd / 2.5-m, 2.0-m<sup>3</sup>
- + 96-in, 3.3-cu yd / 2.5-m, 2.5-m<sup>3</sup>
- + 102-in, 3.9-cu yd / 2.6-m, 3.0-m<sup>3</sup>



### Multipurpose Bucket

- + 95-in, 1.3-cu yd / 2.4-m, 1.0-m<sup>3</sup>
- + 74-in, 1.3-cu yd / 1.9-m, 1.0-m<sup>3</sup>



### Concrete Bucket

- + 78-in, 0.7-cu yd / 2.0-m, 0.5-m<sup>3</sup>



### Dirt Bucket

- + 96-in, 1.3-cu yd / 2.4-m, 1.0-m<sup>3</sup>



### Manure Grapple Bucket



### Standard Carriage

- + 48-in / 1.2-m
- + 60-in / 1.5-m
- + 72-in / 1.8-m



### Side-Tilt Carriage

- + 48-in / 1.2-m
- + 62-in / 1.6-m
- + 72-in / 1.8-m



### Side-Shift Carriage

- + 48-in / 1.2-m



### FEM Carriage

- + 48-in with 2-in x 6-in x 47-in forks / 1.2-m with 50-mm x 150-mm x 1.2-m



### Dual Fork Positioning Carriage

- + 48-in with 2-in x 4-in x 47-in forks / 1.2-m with 50-mm x 100-mm x 1.2-m



### Pallet Forks

\*Photo shown with carriage attached

- + 2-in x 4-in x 47-in / 50-mm x 100-mm x 1.2-m
- + 2-in x 5-in x 47-in / 50-mm x 120-mm x 1.2-m
- + 2-in x 5-in x 48-in / 50-mm x 125-mm x 1.2-m



### Lumber Forks

\*Photo shown with carriage attached

- + 2-in x 6-in x 60-in / 45-mm x 150-mm x 1.5-m
- + 2-in x 6-in x 72-in / 50-mm x 150-mm x 1.8-m



### Bale Carriage



### Bale Handler, Clamp



### Bale Handler, Spike



### Auger



### Truss Boom



### Trash Hopper



### Fork-Mounted Lift Hook



### Fork-Mounted Work Platform

- + 8-ft (1,000-lb capacity) / 1.2-m (454-kg capacity)

## SPECIFICATIONS

	AG925	AG823	AG832
Rated Capacity	8,800-lb / 3,992-kg	7,716-lb / 3,500-kg	7,716-lb / 3,500-kg
Maximum Lift Height	24-ft 11-in / 7.6-m	22-ft 11-in / 7-m	32-ft 2-in / 9.8-m
Capacity at Maximum Lift Height	4,000-lb / 1,814-kg	4,882-lb / 2,215-kg	1,949-lb / 884-kg
Maximum Reach	14-ft 1-in / 4.3-m	12-ft 2-in / 3.7-m	21-ft 8-in / 6.6-m
Capacity at Maximum Reach	2,920-lb / 1,324-kg	2,986-lb / 1,354-kg	1,260-lb / 572-kg
Approximate Operating Weight	18,438-lb / 8,363-kg	16,931-lb / 7,680-kg	20,170-lb / 9,149-kg
Length (less forks)	207-in / 5.3-m	196-in / 5-m	209-in / 5.3-m
Width	94-in / 2.4-m	94-in / 2.4-m	94-in / 2.4-m
Height	97-in / 2.5-m	97-in / 2.5-m	97-in / 2.5-m
Wheelbase	124.6-in / 3.2-m	124.6-in / 3.2-m	124.6-in / 3.2-m
Outside Turning Radius Over Tires	12-ft / 3.7-m	12-ft / 3.7-m	12-ft / 3.7-m
Ground Clearance	19-in / 483-mm	19-in / 483-mm	19-in / 483-mm
Drive	4 x 4	4 x 4	4 x 4
Engine	Deutz TCD 3.6 L04	Deutz TCD 3.6 L04	Deutz TCD 3.6 L04
Horsepower	134 hp @ 2,200 RPM	134 hp @ 2,200 RPM	134 hp @ 2,200 RPM
Transmission	6-Speed Power Shift	6-Speed Power Shift	6-Speed Power Shift
Axle—front	High Bias, Planetary Reduction Hub, Limited Slip	High Bias, Planetary Reduction Hub, Limited Slip	High Bias, Planetary Reduction Hub, Limited Slip
Axle—back	Open Differential, Planetary Reduction Hub	Open Differential, Planetary Reduction Hub	Open Differential, Planetary Reduction Hub
Steering	All-Wheel	All-Wheel	All-Wheel
Tires (standard)	460/70 R24 Michelin XMCL	460/70 R24 Michelin XMCL	460/70 R24 Michelin XMCL
Maximum Travel Speed	25 mph / 40 km/h	25 mph / 40 km/h	25 mph / 40 km/h



We provide coverage for one (1) full year on the entire machine, two (2) full years or 2,000 hours on the drivetrain and cover all specified major structural components for five (5) years. Due to continuous product improvements, we reserve the right to make specification and/or equipment changes without prior notification.



FOR FARMING AND RANCHING.  
FOR THE AGRICULTURAL COMMUNITY.  
FOR FAMILY.

*Let's get it done. Together.*

